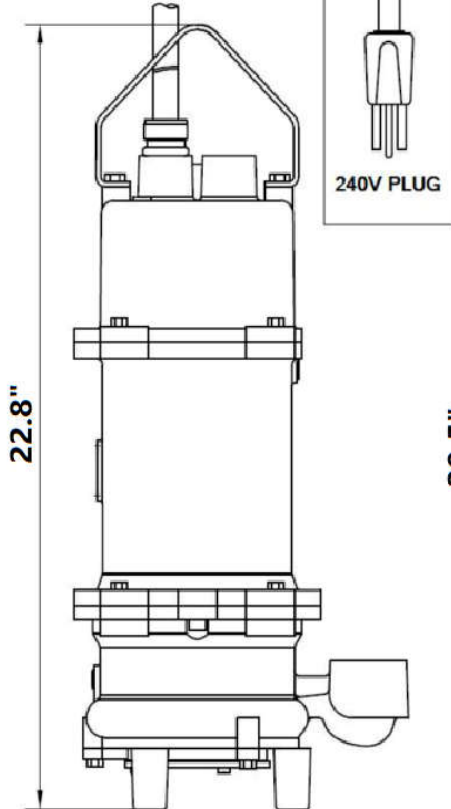


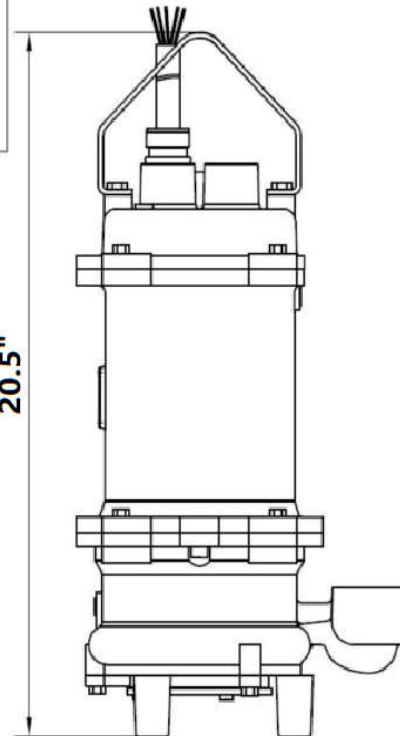


FC SERIES 2HP GRINDER PUMPS

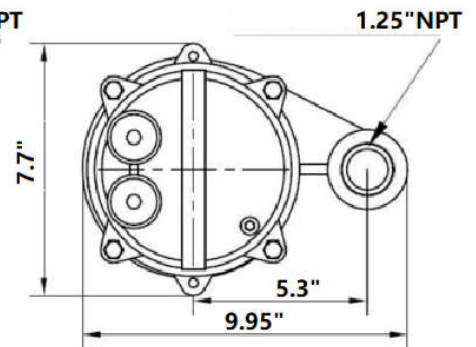
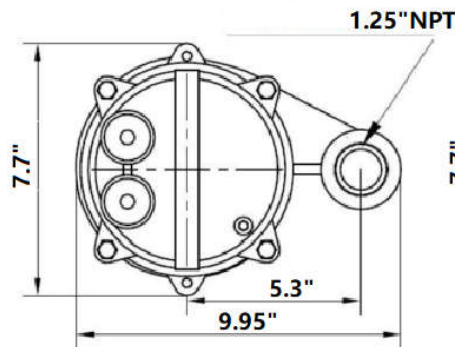
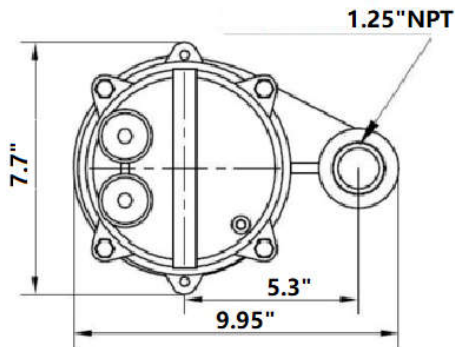
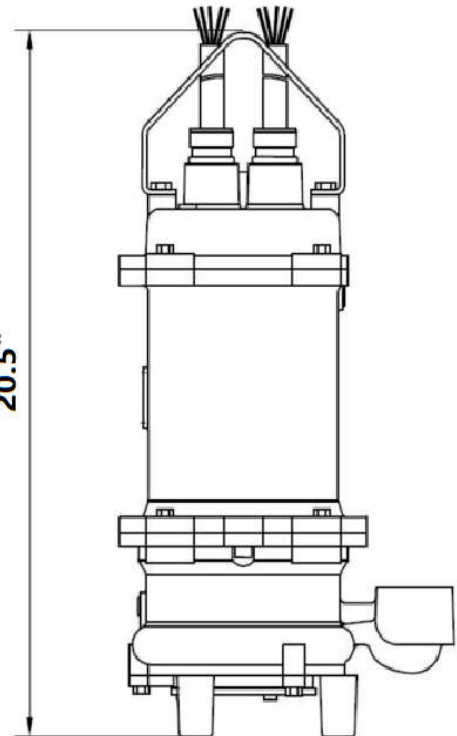
Internal Capacitor
FC2-21C
FHC2-21C



External Capacitor
FC2-21
FHC2-21



Three Phases
FC2-23
FHC2-23



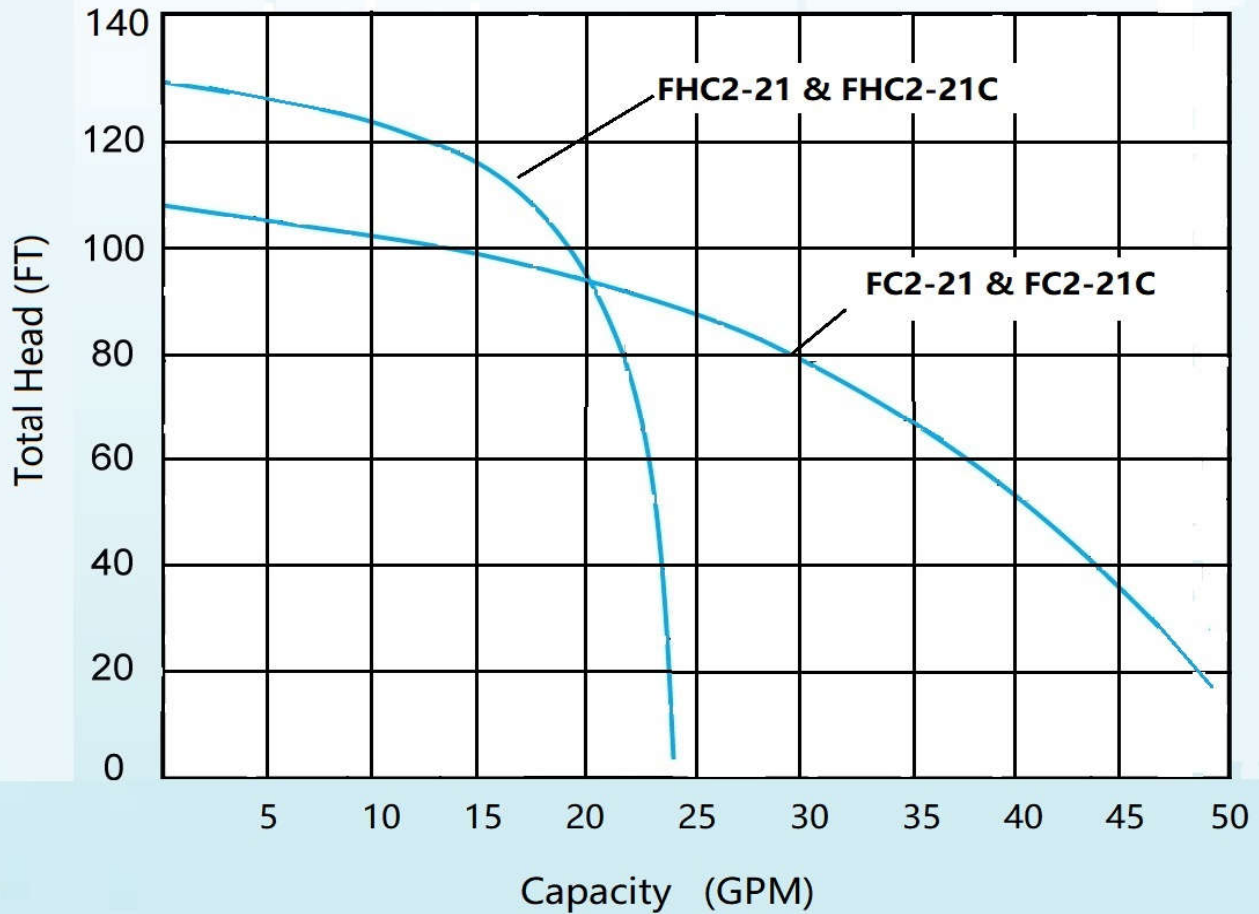
IMPORTANT:

- 1 PUMP MAY BE OPERATED "DRY" FOR EXTENDED PERIODS WITHOUT DAMAGE TO MOTOR AND/OR SEALS
- 2 THIS PUMP IS APPROPRIATE FOR THOSE APPLICATIONS SPECIFIED AS CLASS I DIVISION II HAZARDOUS LOCATIONS.
- 3 THIS PUMP IS NOT APPROPRIATE FOR THOSE APPLICATIONS SPECIFIED AS CLASS I DIVISION I HAZARDOUS LOCATIONS.
- 4 INSTALLATIONS SUCH AS DECORATIVE FOUNTAINS OR WATER FEATURES PROVIDED FOR VISUAL ENJOYMENT MUST BE INSTALLED IN ACCORDANCE WITH THE NATIONAL ELECTRIC CODE ANSI/NFPA 70 AND/OR THE AUTHORITY HAVING JURISDICTION. THIS PUMP IS NOT INTENDED FOR USE IN SWIMMING POOLS, RECREATIONAL WATER PARKS, OR INSTALLATIONS IN WHICH HUMAN CONTACT WITH PUMPED MEDIA IS A COMMON OCCURRENCE.

FC SERIES 2HP GRINDER PUMPS

PERFORMANCE CURVE

**MODEL: FC2-21 & FC2-21C
FHC2-21 & FHC2-21C**

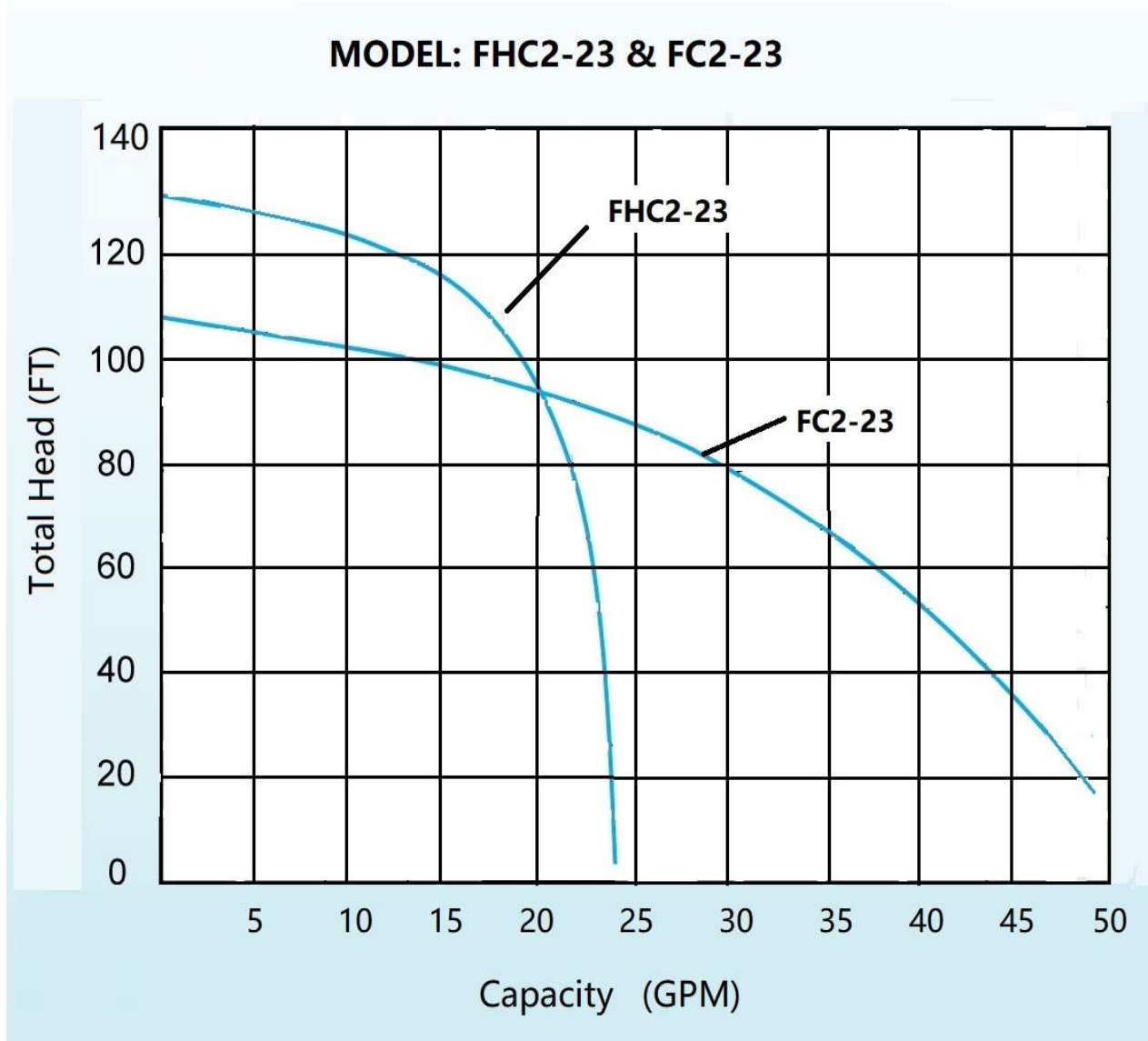


MODULE	HP	VOLT	PH/Hz	RPM	FULL LOAD AMPS	LOCKED ROTOR AMPS	CORD SIZE	CORD TYPE	WEIGHT (LBS)
FC2-21C	2	230	1/60	3450	14.5	23	14AWG/3	SOOW	75
FHC2-21C									75
FC2-21							14AWG/5		74
FHC2-21									74

- FC2-21C and FHC2-21C feature internal capacitors and do not require a separate control panel for operation.
- FC2-21 and FHC2-21 features external capacitors, requiring a panel with appropriately sized start and run capacitors.
- Testing is performed with water, specific gravity 1.0 @ 38°F @ (20°C), other fluids may vary performance.

FC SERIES 2HP GRINDER PUMPS

PERFORMANCE CURVE



MODULE	HP	VOLT	PH/Hz	RPM	FULL LOAD AMPS	LOCKED ROTOR AMPS	CORD SIZE	CORD TYPE	WEIGHT (LBS)
FC2-23	2	230	3/60	3450	8.8	22.5	14AWG/4	SOOW	74
FHC2-23									74

- 3-phase models require a properly sized control panel
- Testing is performed with water, specific gravity 1.0 @ 38°F @ (20°C), other fluids may vary performance.