

FG SERIES 2HP GRINDER PUMPS



Model: FG2-21C/ FHG2-21C
2HP, 3450RPM, 60Hz
High-Flow & High Head

SPECIFICATIONS:

DISCHARGE	1-1/4" NPT, Vertical
LIQUID TEMPERATURE	120°F(40°C) Continuous 140°F(40°C) Intermittent
VOLUTE	Cast Iron ASTM A-48, Class 30
MOTOR HOUSING	Cast Iron ASTM A-48, Class 30
SEAL PLATE	Cast Iron ASTM A-48, Class 30
ROTATING RADIAL CUTTER ...	440 SST Hardened 58-60 Rockwell C
STATIONARY RADIAL CUTTER ...	440 SST Hardened 58-60 Rockwell C
IMPELLER	Cast Iron ASTM A-48, Class 30, 12 Vane, Vortex with Pump-out Vanes, Dynamically Balanced, ISO G6.3
SHAFT	420 Stainless Steel
O RING	Buna-N
SEAL: <i>Design</i>	Single Mechanical in Oil-Filled
<i>Material</i>	Rotating Face - Silicon Carbide Stationary Face - Silicon Carbide Elastomer - Buna -N Hardware - 300 Series Stainless
CABLE ENTRY	30 Ft (9.1m) Cord . Compression Grommet-Outer Jacket Seal Epoxy Potted – Inner Conductor Seal Butt Connector – Inner Wire Strand Wicking Blockage
UPPER BEARING	Single Row, Ball, Oil lubricated
LOWER BEARING	Single Row, Ball, Oil Lubricated
MOTOR	Single Phase, 2 HP, 3450 RPM, 60 Hz Dual voltage, 200 / 230 volts Includes Overload Protection in the Motor Oil Filled, Class F Capacitor Start/Capacitor Run
OPTIONAL EQUIPMENT:	Cord Length, Impeller Trims

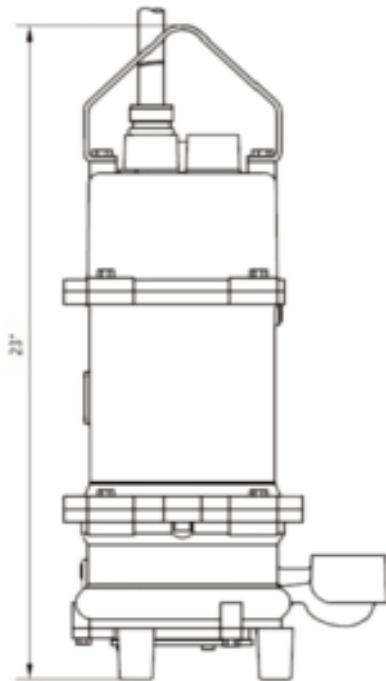
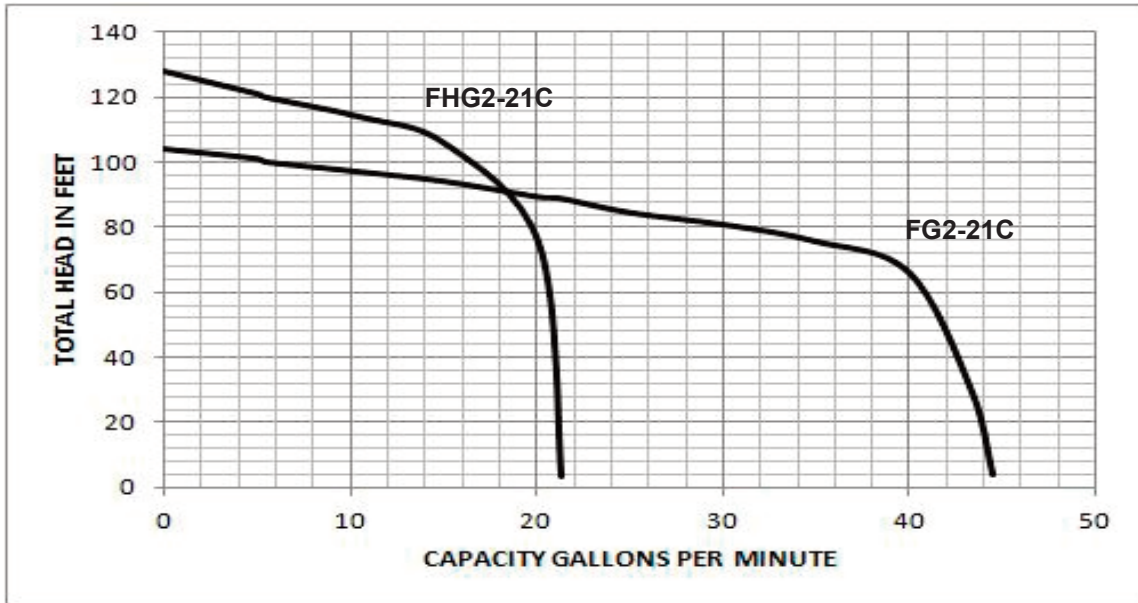
KEY FEATURES:

- Oil-filled motor for maximum motor cooling and constant bearing lubrication
- Recessed impeller reduces radial bearing loads and increases bearing life
- Capacitor start/run design for assured starting, strong torque and grinding under heavy load
- On-Winding current and temperature-sensitive overload
- Pressed stator for precise shaft / bearing alignment, long life
- Shredding ring and grinder impeller are replaceable without dismantling pump or motor
- 300 Series Stainless Steel fasteners

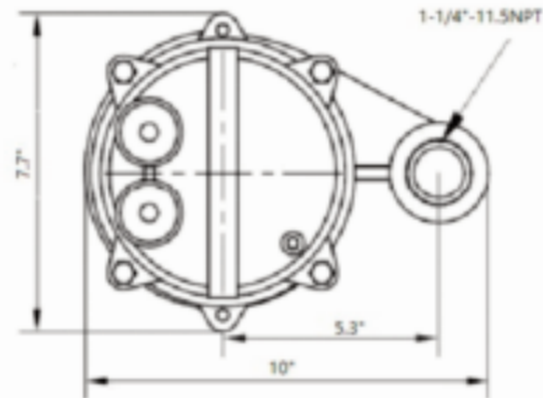


FG SERIES 2HP GRINDER PUMPS

PERFORMANCE CURVE



PUMP SIZE



MODULE	HP	VOLT	PH/Hz	RPM	FULL LOAD AMPS	LOCKED ROTOR AMPS	CORD SIZE	CORD TYPE	CORD O.D. in (mm)
FG2-21C	2	200~230	1/60	3450	14.5	23	14/4	SOOW	0.57 (14.5)
FHG2-21C									